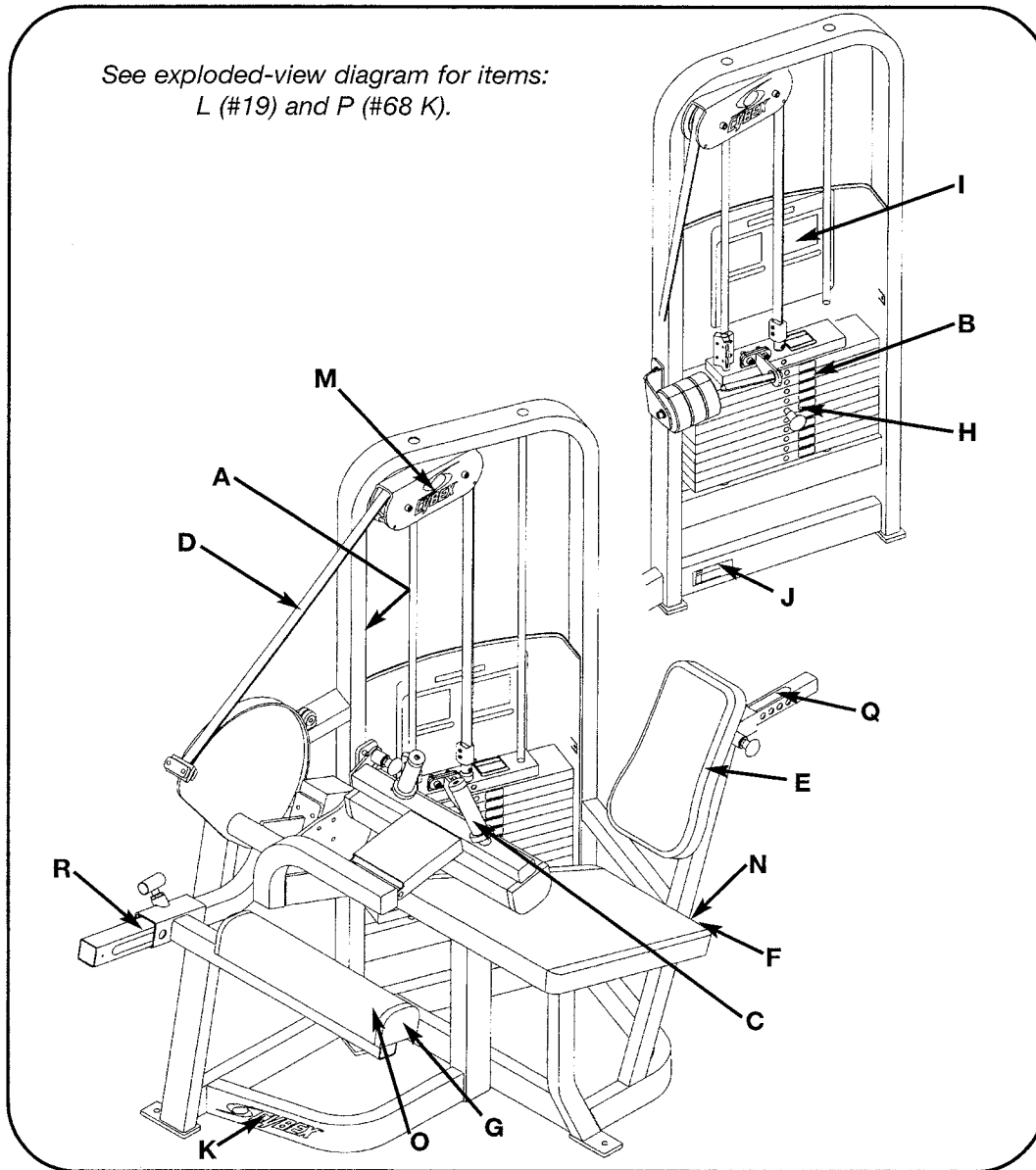


# SEATED LEG CURL

PRODUCT NO. 4626, 4627, 4628

PARTS LIST

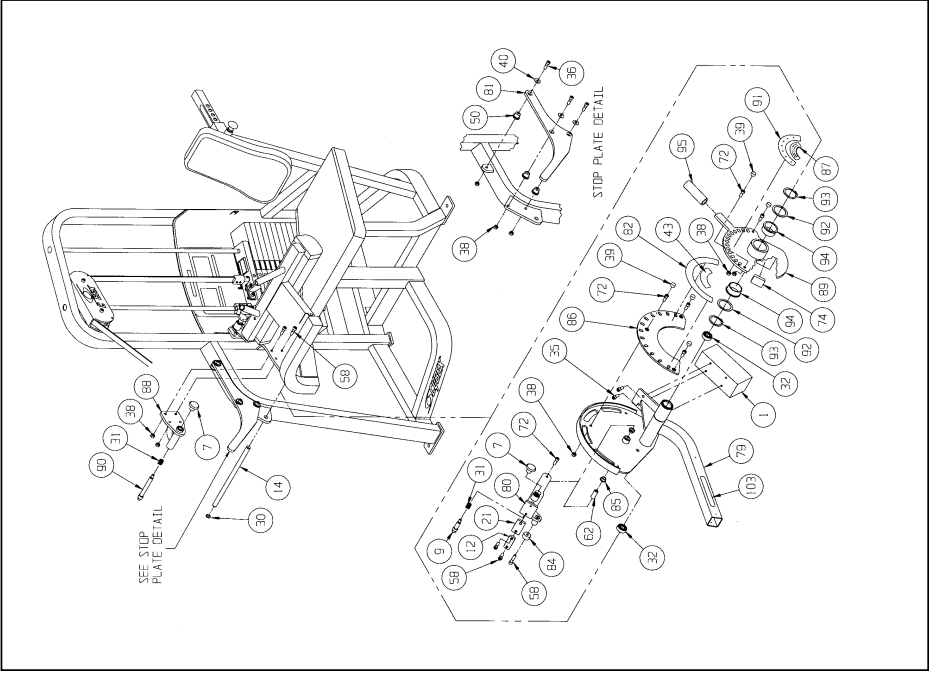
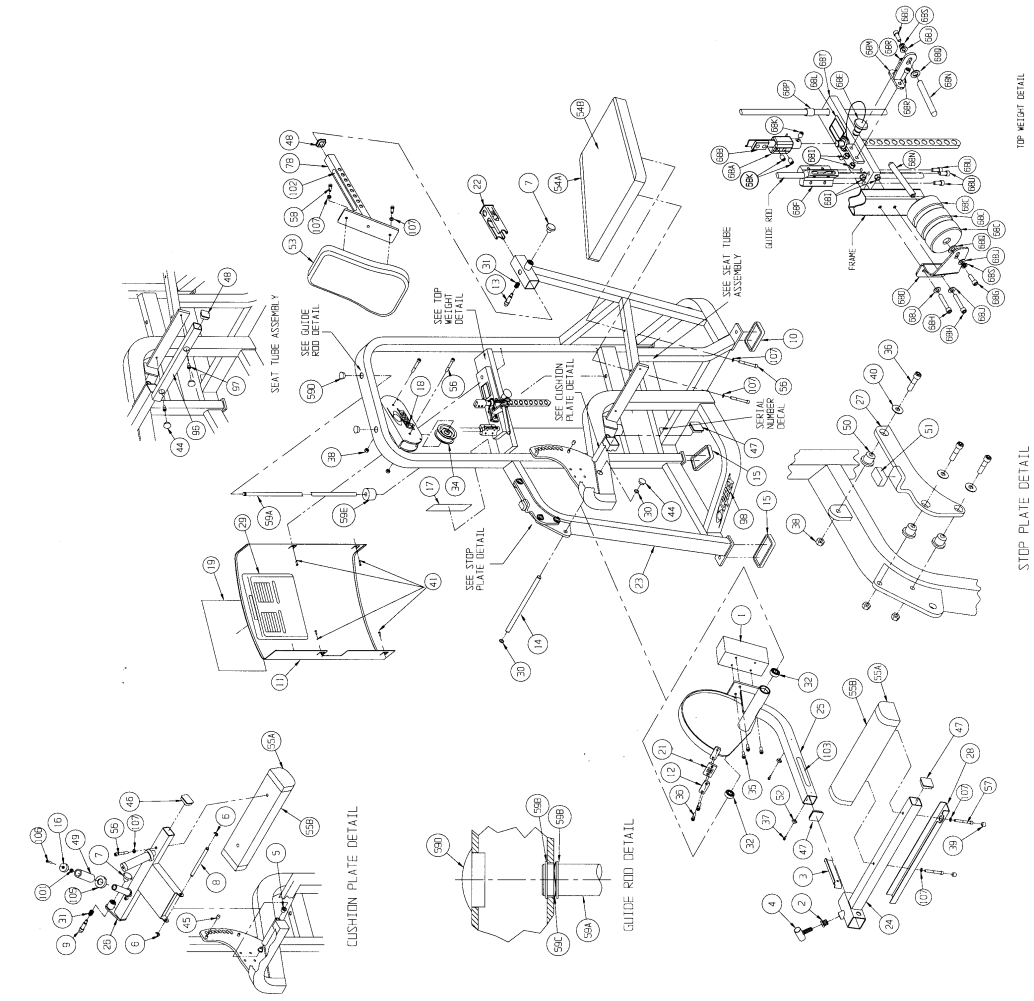


DESCRIPTION	PART NO.	DESCRIPTION	PART NO.
A. Warning Decal .....	4605-381	K. Cybex Decal Blk/Plm ....	<b>3900-390</b>
B. Weight Plate Decal .....	4605-388	K. Cybex Decal Wht/Wht...	<b>3900-415</b>
C. Grip 4.5" Long .....	4506-514	L. Cybex Decal Blk/Plm ....	3900-391
D. Belt .....	<b>GB000202</b>	L. Cybex Decal Wht/Wht...	<b>3900-419</b>
E. Back Cushion .....	4800-115	M. Cybex Decal Blk/Plm ....	3900-423
F. Seat Cushion w/Wear Cover .....	<b>4800-006</b>	M. Cybex Decal Wht/Wht...	3900-424
G. Leg Bar Cushion w/WearCover .....	<b>4800-006</b>	N. Wear Cover (Item F) .....	4106S079-0
H. Weight Selector Pin.....	<b>BH030207</b>	O. Wear Cover (Item G).....	<b>4800-006</b>
I. Placard Decal .....	4626-598	P. Caution Decal .....	4605-424
J. Serial Number Decal		Q. Adjusting Decal .....	4805-314
		R. Adjusting Decal .....	<b>4855-317</b>
		S. Grip.....	<b>4605-515</b>

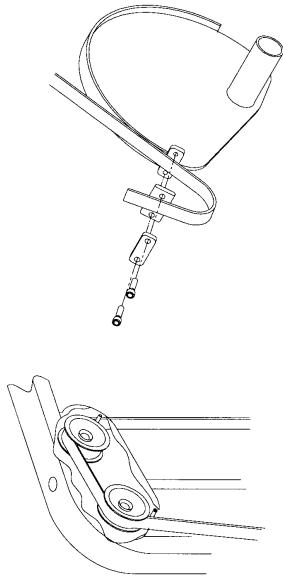
### 4626, 4627, 4628 - Seated Leg Curl

ITEM	QTY	PART NO.	DESCRIPTION	ITEM	QTY	PART NO.	DESCRIPTION
1	1	01112	Counterweight	61			Not Used
2	1	01692	Threaded Insert	62	1	4613-302	Short Pivot Pin
3	1	01694	Corner Bracket	63	2	PR060005	Weight Bumper
4	1	11060-002	Handle Subassembly	64			Not Used
5	2	08009	Flange Brg .50 x .62 x .50 L	65			Removed
6	2	08010	Retaining Ring .50	66			Not Used
7	4	11040-440	Cybex Knob	67			Not Used
8	1	08227	Pin .50 x 6.56	68	1	4701-030	Sliding Increment Weight Set
9	2	4505-329	Detent Pin	68 A	1	11040-216	Belt Clamp
10	1	PR070001	Foot Pad 2.50 x 4.25	68 B	1	11040-301	Belt Clamp Insert
11	1	4505-431	Guard	68 C	3	4605-390	Increment Weight
12	1	4605-300	Belt Clamp	68 D			Removed 3/03
13	1	4605-322	Detent Pin	68 E	1	BH030207	Weight Selector Pin
14	1	4605-334	Pivot Shaft 13.06	68 F	1	4701-001	Top Weight Guide
15	3	PR070003	Foot Pad 2.00 x 5.25	68 G	2	HC702817	SHCS .375-16 x 1.00
16	2	11090-374	End Cap	68 H	2	HC702828	SHCS .375-16 x 2.25
17	1	4605-381	Warning Decal	68 I	4	HN704901	Nylon Locknut .375-16
18	1	3900-423	Cybex Decal 4.85 Vert. Blk/Plm	68 J	4	HS347600	Washer, SAE .375
18	1	3900-424	Cybex Decal 4.85 Vert. Wht/Wht	68 K	3	HY740000	Set Screw
18			Removed 3/03	68 L	1	4605-424	Caution Decal
19			Removed 3/03	68 M	1	4700-240	Weight Mount
19	1	3900-391	Cybex Decal 11.37 Vert. Blk/Plm	68 N	2	4700-318	Increment Weight Rod
19	1	3900-419	Cybex Decal 11.37 Vert. Wht/Wht	68 O	1	4700-319	Frame Mount Increment Weight
20	1	4605-388	Weight Plate Decal 10-290	68 P	1	FB130208	Bearing Sleeve .68 x .81 1.00 L
21	1	4605-394	Belt Clamp	68 Q	2	4700-321	Rubber Washer
22	1	4605-511	Plastic Insert	68 R	2	JC702820	SHCS .375-16 x 1.25
23	1	4626-200	Frame	68 S	2	HS348300	Split Lockwasher .375
24	1	4626-201	Leg Bar	68 T	1	4700-239	Top Weight
25	1	4626-204	Cam	68 U	3	HC702816	SHCS .375-16 x .875
26	1	4626-203	Cushion Pivot	69			Removed
27	1	4626-322	Stop Plate	70			Not Used
28	1	4626-326	Bumper	71			Not Used
29	1	4626-598	Placard Decal	72	7	HC702816	SHCS .375-16 x .875
30	2	BR030210	Retaining Ring 17 mm	73			Not Used
31	4	BS070201	Com Spring .56 x .66 x 1.50 L	74	1	PU060203	Bumper
32	2	FB030232	Radial Brg 17 mm ID	75			Not Used
33	79"	GB000202	Belt .95" Wide	76			Not Used
34	2	GP000209	Pulley Assembly 3.50	77			Removed
35	1	HC702817	SHCS .375-16 x 1.00	78	1	4611-207	Cushion Tube
36	5	HC702822	SHCS .375-16 x 1.50	79	1	4628-206	Cam
37	2	HD303318	S/Bolt .25 x .25 x .190/10-24	80	1	4628-202	Cam Arm
38	14	HN704901	Nylon Locknut .375-16	81	1	4628-303	Bar Stop
39	7	PP080222	Vinyl Cap .50 x .50	82	1	4628-334	Input Cam Decal
40	3	HS347700	Washer .375 USS	83			Removed
41	4	HT102214	Tap Screw #10-12 x .625 A (Phil)	84	1	FM030239	Cam Follower 10 mm
42			Removed 8/98	85	2	FB130205	Flange Brg .62 x .75 x .38 L
43	1	4612-596	Start RDL Decal	86	1	4628-336	Cam Plate
44	3	PN660200	Plastic Insert 1.00 Dia x 11 G	87	1	4613-594	Total RLD Decal
45	2	PP080214	Plastic Cap .343 ID x .50	88	1	4628-203	Detent Plate
46	1	PP090000	Plastic Insert 1.50 x 2.00 x 11 G	89	1	4628-204	Cam Stop
47	3	PP090210	Plastic Insert 2.00 Sq x 10-14 G	90	1	4628-312	Detent Pin
48	2	PP090211	Plastic Insert 1.50 Sq x 10-14 G	91	1	4628-333	Cam Stop Decal
49	2	4605-514	Grip 4.50" Long	92	2	4715-336	Washer
50	3	PR740300	Center Bonded Mount	93	2	BR030213	Retaining Ring External 2.00
51	1	PU060201	Bumper	94	2	FB130206	Flange Brg 2.00 x 2.25 x 1.50 L
52	2	PU060211	Bumper	95	1	4605-515	Grip 3.25" Long
53	1	4800-115	Back Cushion	96	1	4626-331	Tube
54 A	1		Seat Cushion w/Wear Cover	97	2	JC702814	SHCS .375-16 x .625
54 B	1	4106S079-0	Wear Cover	98			Removed 3/03
55 A	2		Leg Bar Cushion w/Wear Cover	98	1	3900-390	Cybex Decal 1.57 Horiz. Blk/Plm
55 B	2		Wear Cover	98	1	3900-415	Cybex Decal 1.57 Horiz. Wht/Wht
56	6	HC702830	SHCS .375-16 x 2.50	99	1	4701-302	VR2 Weight Stack Instr. (not shown)
57	2	HC702834	SHCS .375-16 x 3.00	100	1	51198	Strength Warranty Sheet (not shown)
58	9	JC702820	SHCS .375-16 x 1.25	101	2	HF449063	Tube Insert
59	1	4701-021	Weight Stack Guide Rod Set	102	1	4850-314	Adjusting Decal
59 A	2	4505-319	Weight Stack Guide Rod	103	1	4855-317	Adjusting Decal
59 B	4	BR030214	Retaining Ring .625	104	9	4000C101	Stack Weight 4 X 18 (not shown)
59 C	2	HS407100	Spring Washer .65 x .79 x .062 T	105	2	11090-376	Handle Grip Ring
59 D	2	PN660200	Plastic Insert 1.00 Dia x 11 G	106	2	JC620422	BHSCS .250-20 x 1.50
59 E	2	PR060005	Weight Bumper	107	6	JS347400	Internal Tooth Lockwasher
60			Not Used				

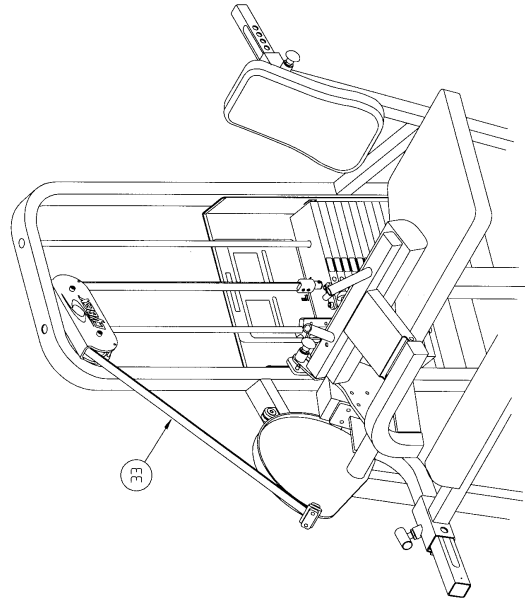
SEATED LEG CURL - 4626, 4627, 4628



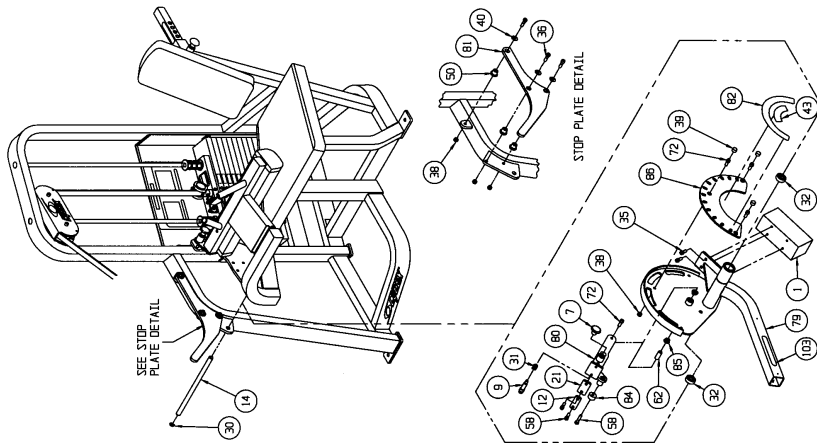
4628 - Seated Leg Curl Total RLD



BELT ROUTING DETAIL



BELT ROUTING DETAIL



4627 - Seated Leg Curl Start RLD